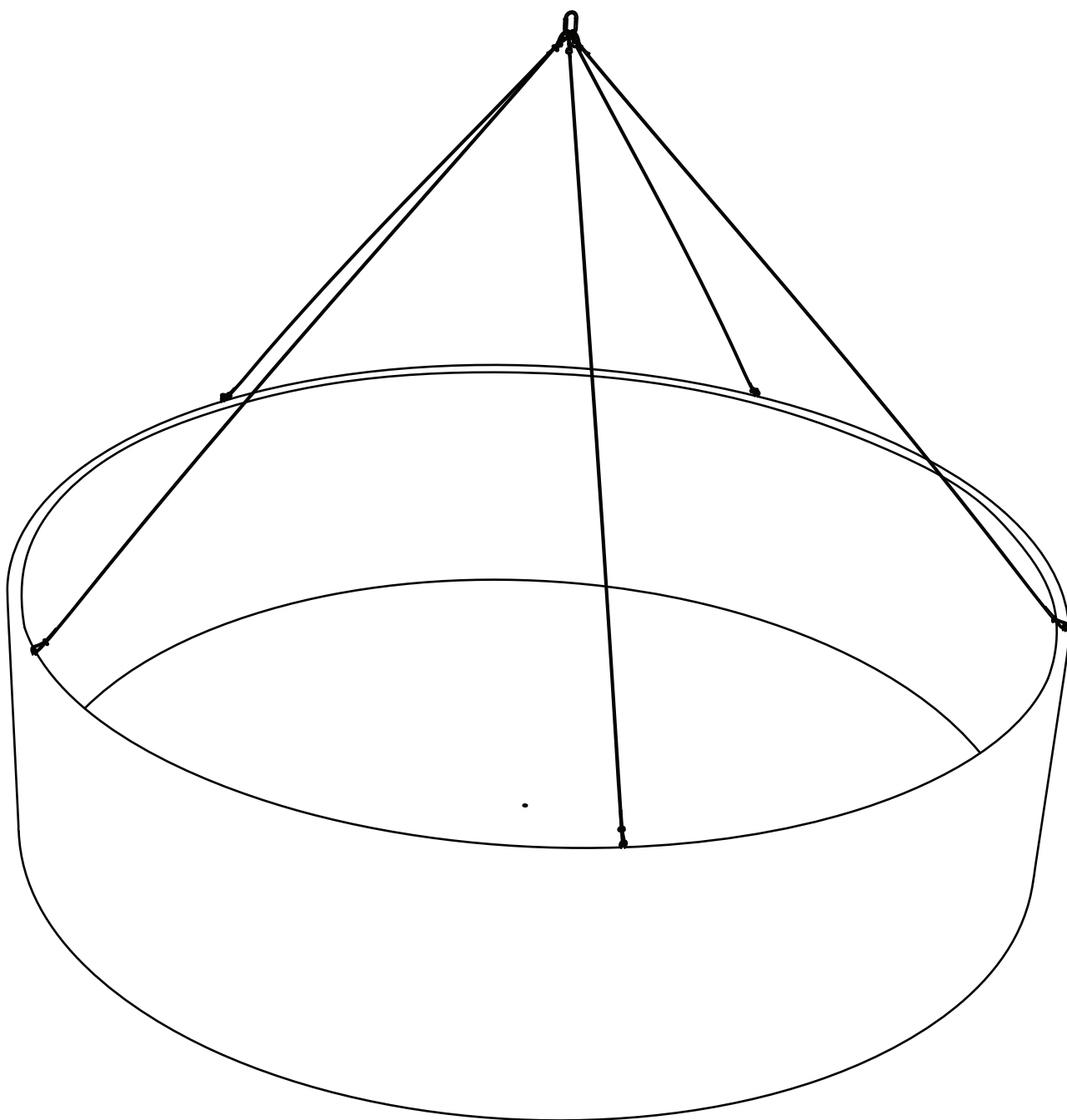
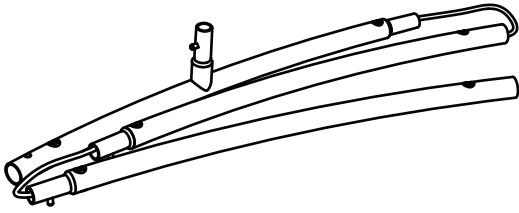


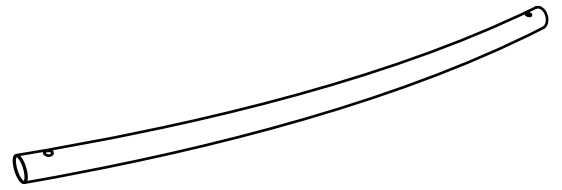
Ceiling Circle Display

Mounting instruction

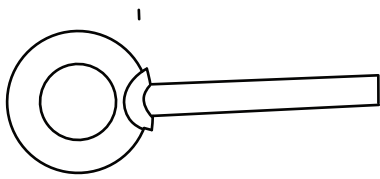




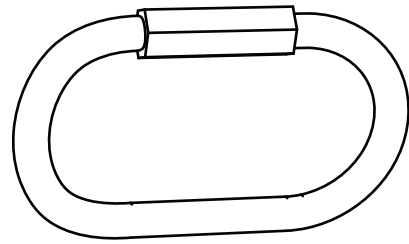
10 x Horizontal poles



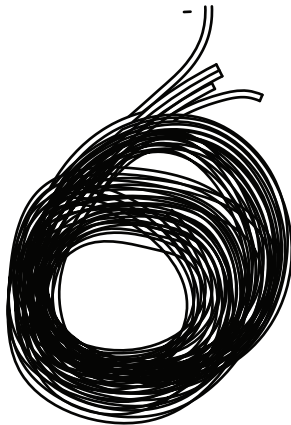
5 x Vertical poles



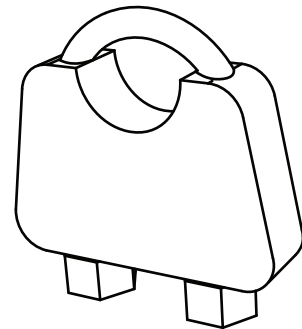
5 x Mounting screw



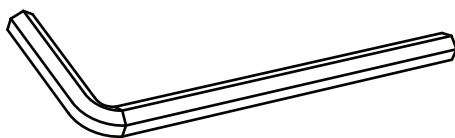
5 x Carabiner



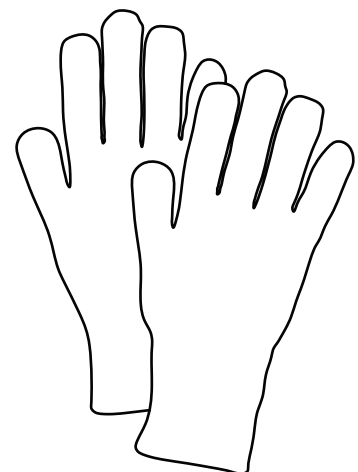
5 x Metal rope



10 x Clamps

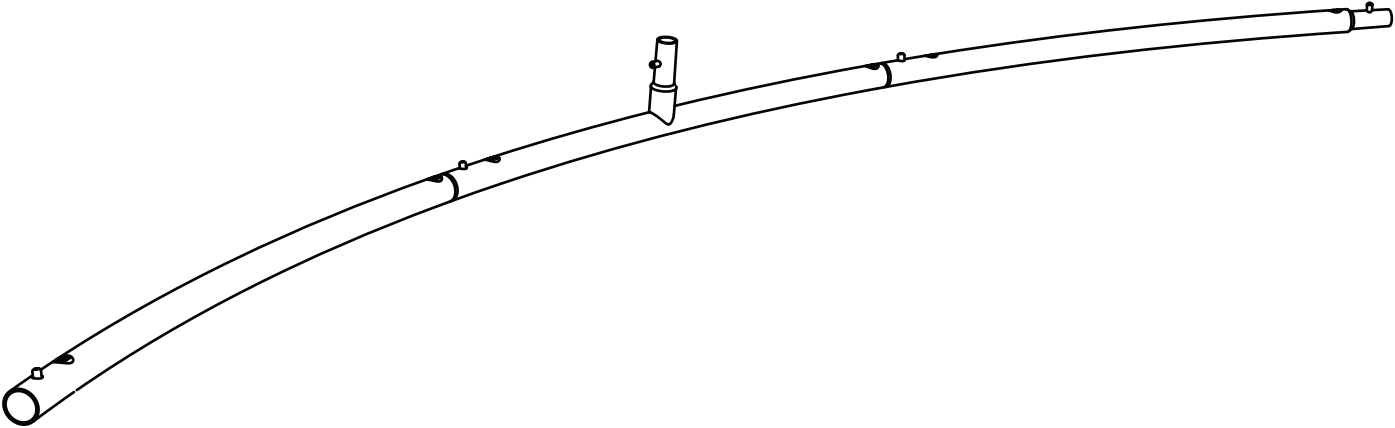
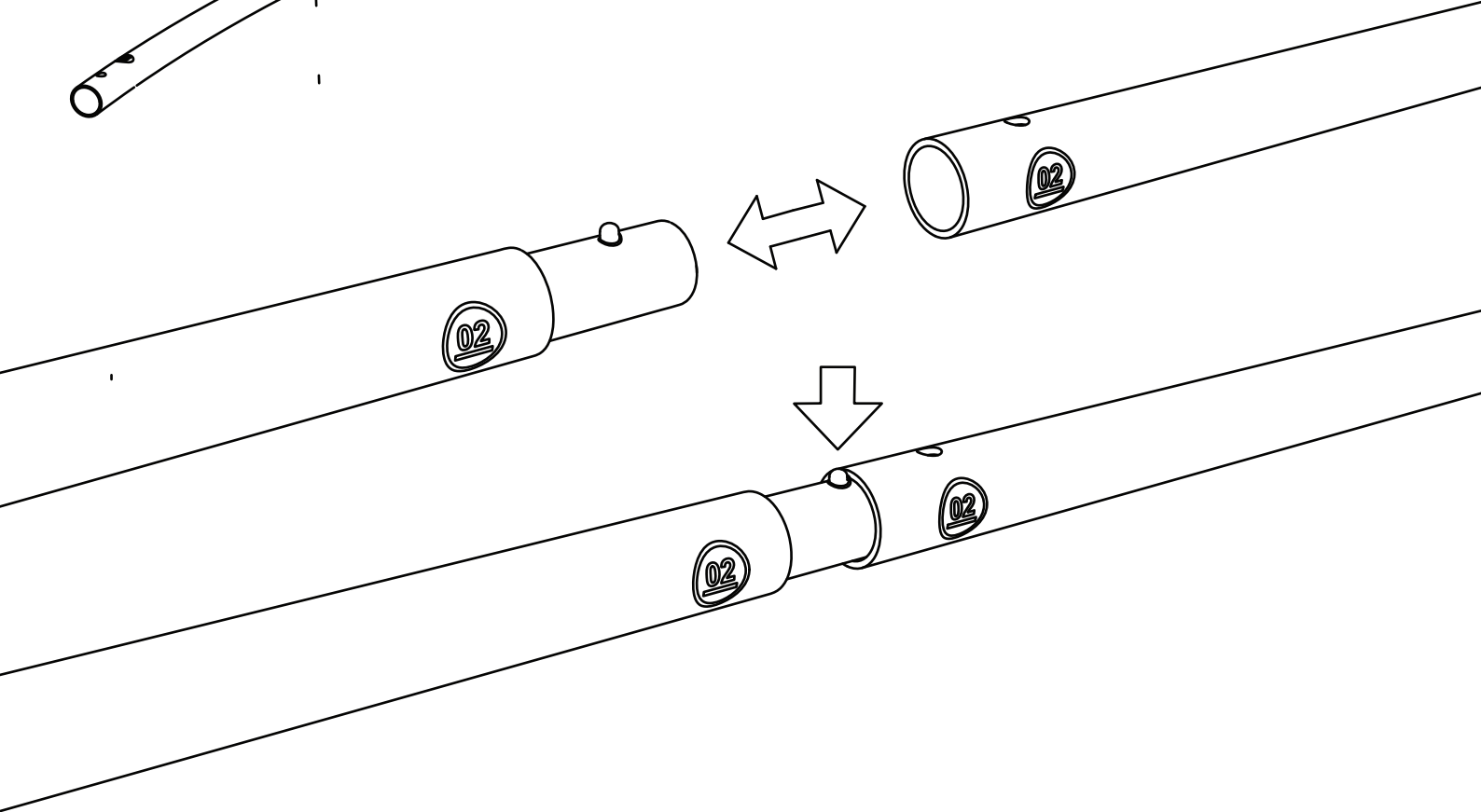
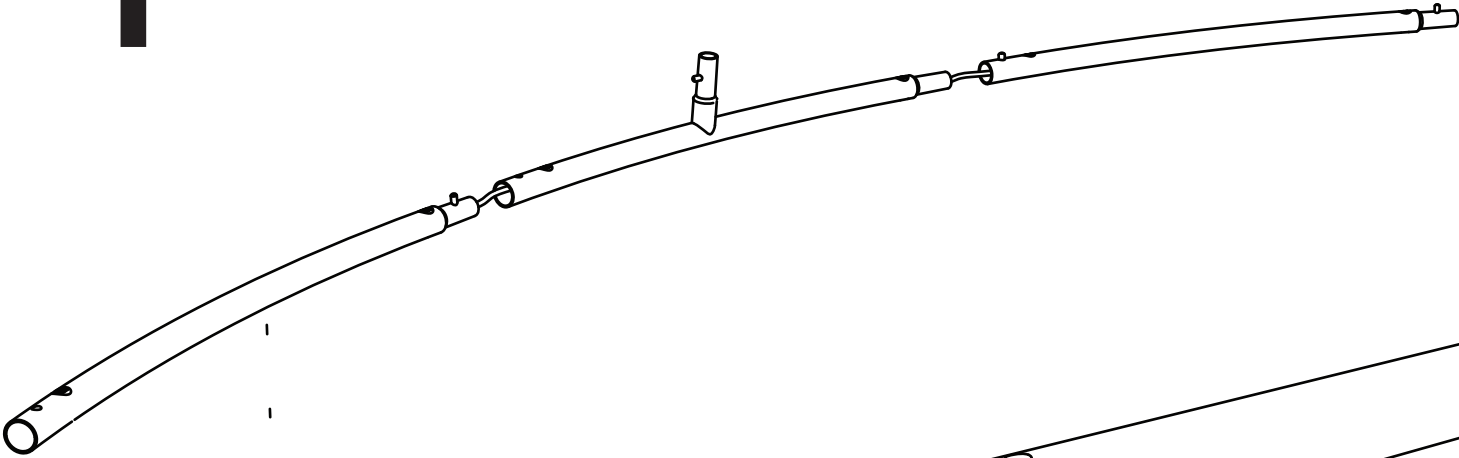


1 x Allen Key

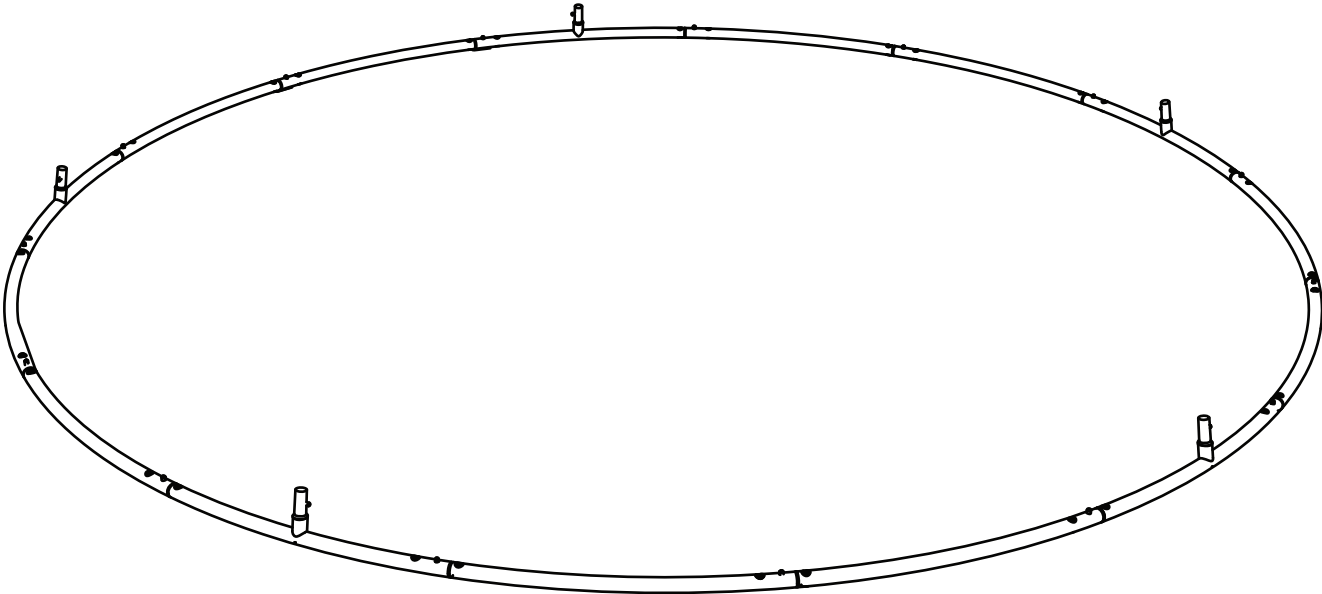
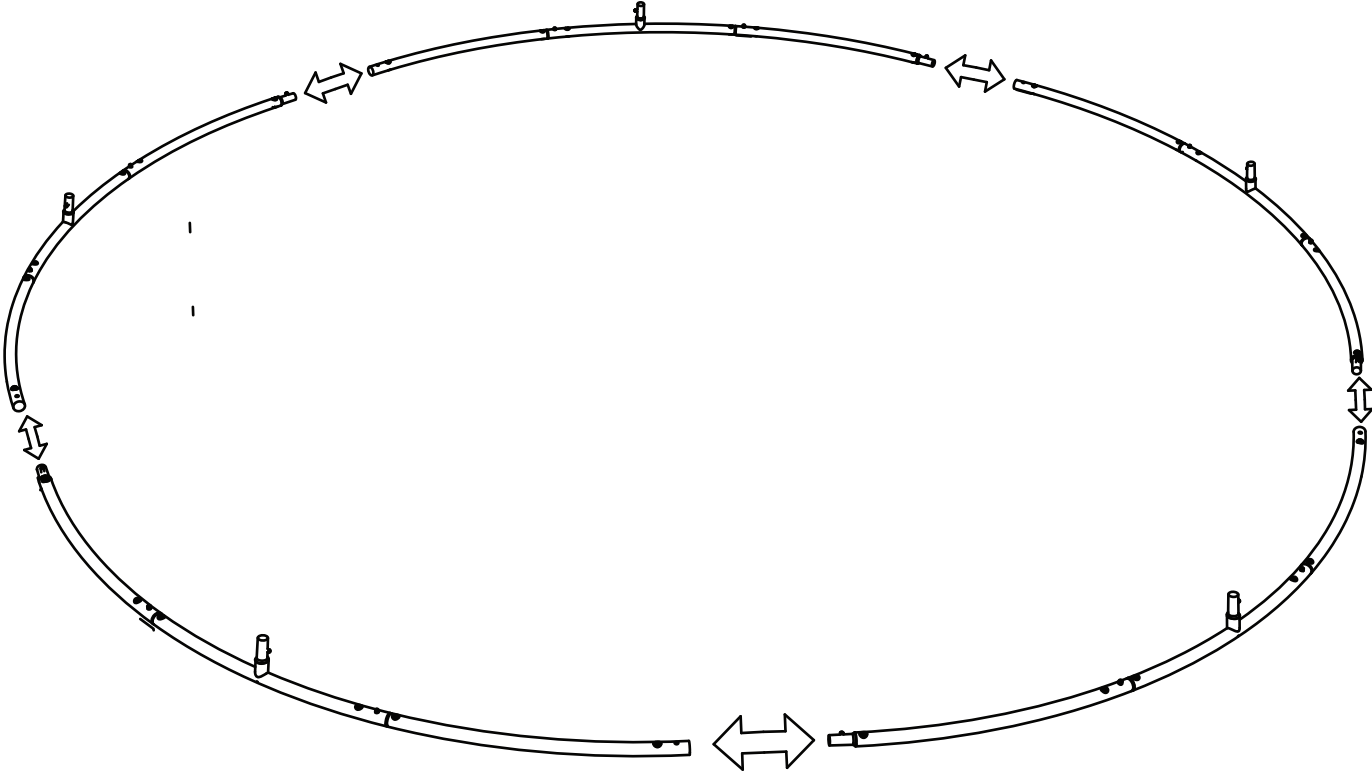


2 x Gloves

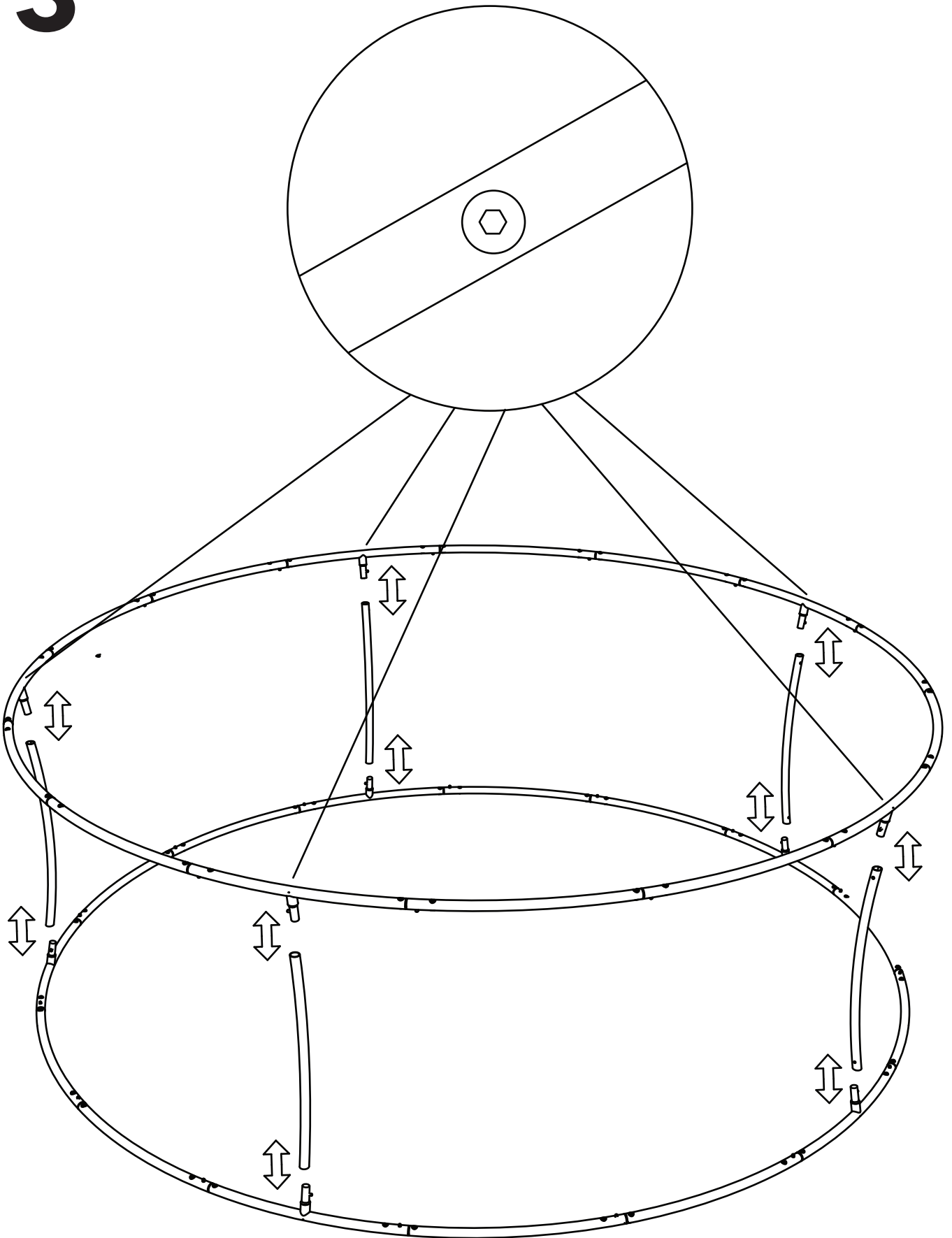
1



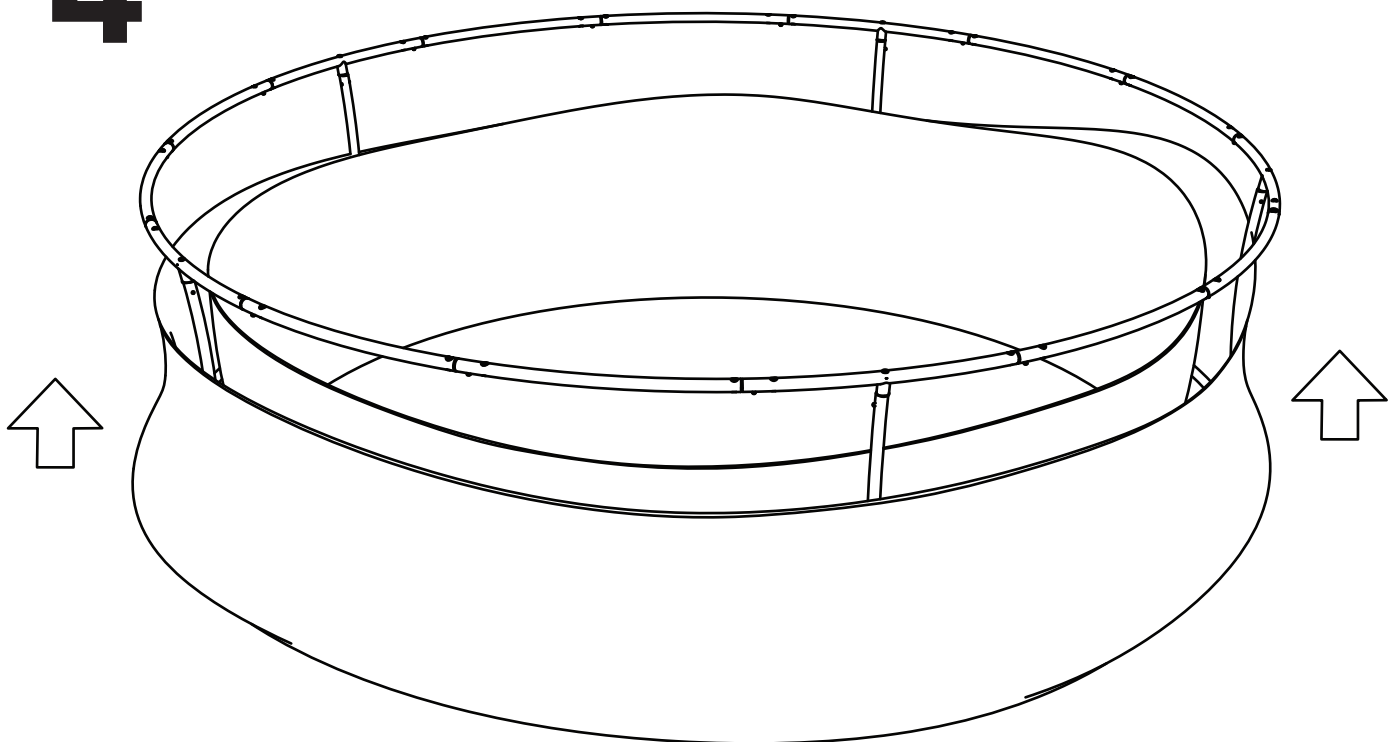
2



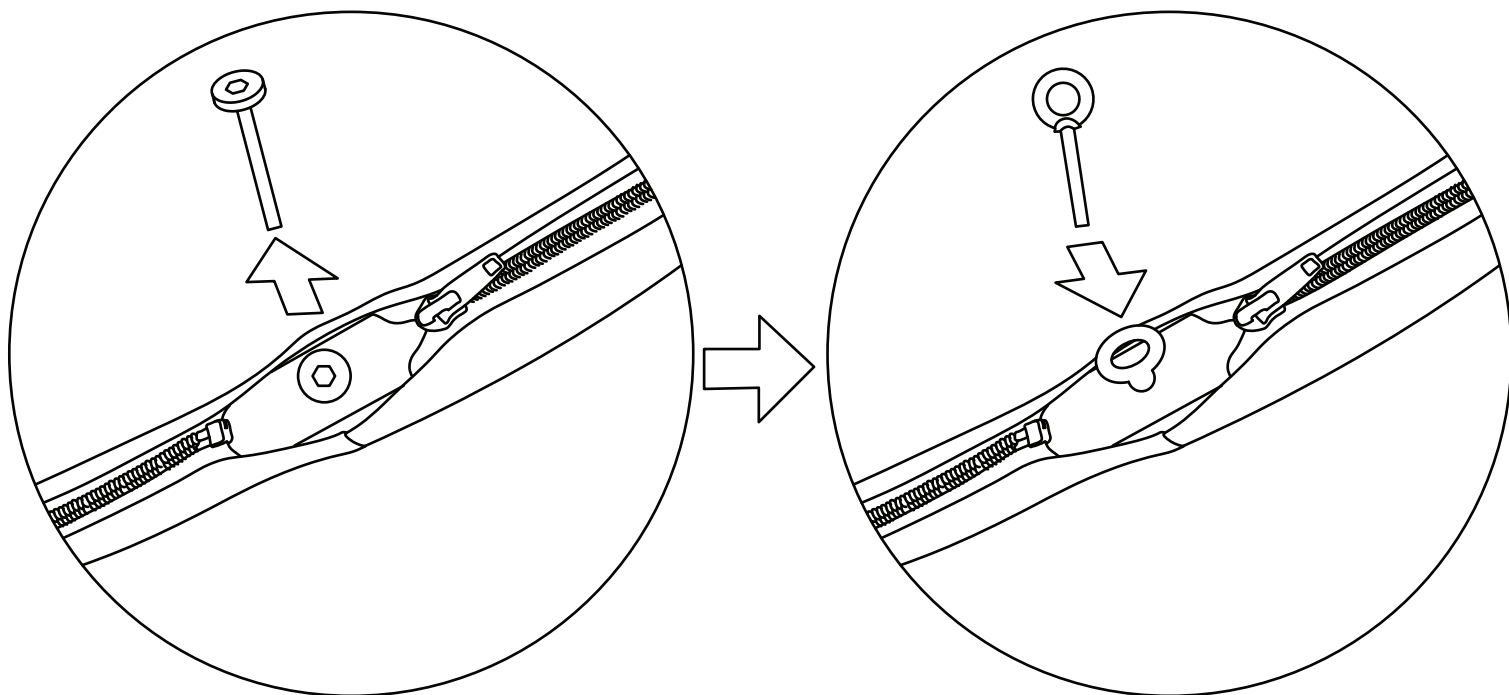
3



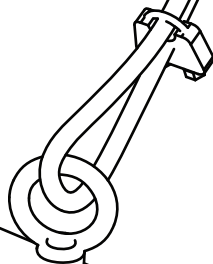
4



5

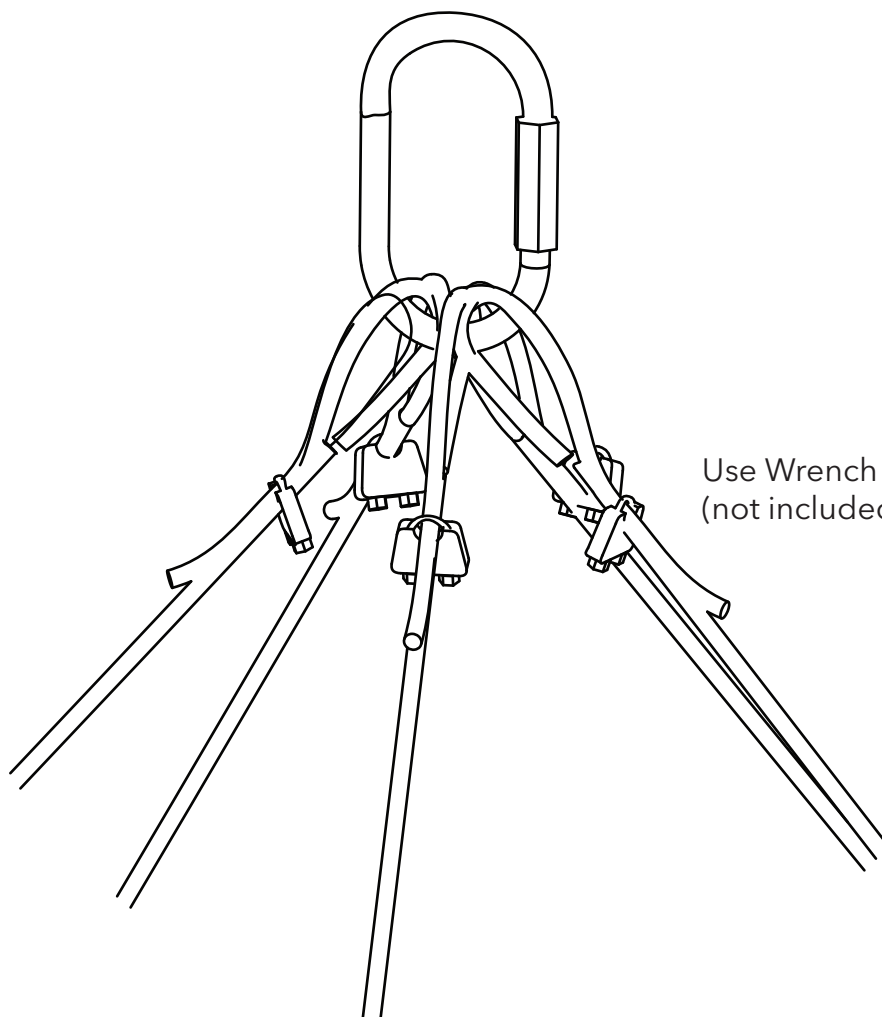


6



Use Wrench 5mm
(not included)

7



Use Wrench 5mm
(not included)

8

